

TerraDisc<sup>pro</sup> Compact disc harrows

BEYNE





# Compact disc harrows for professionals



Aggressive disc form and position guarantee very good introduction and best incorporation



## More precise - faster - more efficient

The first stubble processing after the harvest already forms the base for the following cultures. It disrupts the capillarity of the stubble and protects moisture reserves in the soil. The intensive incorporation as well as the subsequent consolidation grant a quick germination of drop out - grains and weed seeds, and therefore saves time and also increases overall profits.

The TerraDisc<sup>PRO</sup> meets these requirements perfectly: the form of the disc provides an outstanding mixing effect and good penetration of the soil, even in difficult soil conditions. This allows a higher working speed.

A wide range of roller designs en-

sure optimal working results whatever the ground conditions. The TerraDisc<sup>PRO</sup> also has huge clearances and the new frame construction ensures smooth work, even with large quantities of crop residues.

The TerraDisc<sup>PRO</sup> ensures a precise,

quick & efficient work rate, even under extreme conditions.





TerraDisc<sup>pro</sup> 300

## The "snappy" 3-point linkage

### Advantages TerraDisc<sup>pro</sup>

Outstanding soil penetration in heavy or hard soils due to new positioning and form of the discs

High clearance thanks to the high frame and the clearances between the discs and the disc-holders

Intensive incorporation and mixing of organic materials, such as corn straw

Easily folded edge discs enable effective exploitation of the nominal working widths of 2,5 / 3,0 / 3,5 / 4,0 m for transport widths of < 3,0 / 3,5 / 4,0 m

Excellent handling with simple and central working depth adjustment (optionally hydraulically adjustable)

Extensive choice of different rollers for all operating conditions

A new disc shape and position give the TerraDisc<sup>pro</sup> excellent ground entry which enables fast working speeds, even in difficult conditions such as very heavy or hard soil. This ensures that even the mounted versions of the TerraDisc<sup>pro</sup> achieve outstanding coverage and efficiency in stubble cultivation and mulch-seed bed preparation.



The TerraDisc<sup>pro</sup> is available with working widths of 2.50, 3.00, 3.50\* and 4.00\* meters in a fixed frame.

\* Transport width more than 3.00 m





TerraDisc<sup>pro</sup> 300 TR trailed version

## Trailing is easier than lifting!

### Advantages TerraDisc<sup>pro</sup> TR

Trailing doesn't require any lifting force of the tractor

Outstanding user comfort with standard hydraulic depth adjustment with memory cylinder

Exceptional straw throughput thanks to high frame and clearances between discs and disc supports

The TerraDisc<sup>pro</sup> TR can be converted with a few manual adjustments back to a 3-point mounted tool, and a mounted tool can also be retrofitted to the trailed TR version.

Intensive incorporation and mixing of high quantities of organic materials, such as maize straw

Easily-folded edge discs enable effective exploitation of the nominal working widths of 3.0 / 3.5 / 4.0 m for transport widths of < 3.0 / 3.5 / 4.0 m

The TerraDisc<sup>pro</sup> TR is the optimal tool for tractors with less lifting capacity. The machine uses the tyre packer roller or rubber tapered ring roller as depth control and reconsolidation as well as the chassis. The stable drawbar allows a very high full lock and makes the assembly extremely nimble at the headland. The TerraDisc<sup>pro</sup> TR is equipped with an innovative hydraulic system: a memory cylinder automatically repositions the tool to the preset working depth after each lift. In addition, the working depth can be hydraulically adjusted up or down during travel - as standard!



Optional **hydraulic frontboard** for even better crumbling and levelling: suitable for TerraDisc<sup>pro</sup> TR with 3.00, 3.50\* and 4,00\* meters working width in rigid frame design.

\* Transport width more than 3.00 m





TerraDisc<sup>pro</sup> 600 Hydro

## Top-of-the-range compact disc harrow

### Advantages TerraDisc<sup>pro</sup> Hydro

The robust design ensures safety in professional use in all conditions

Exceptional throughput thanks to the high frame and clearances between discs and disc supports

Excellent handling with simple and central working depth adjustment (optionally hydraulically adjustable)

Mechanical transport locks with automatic hydraulic unlocking

An optional retrofitted folding chassis provides added weight to the wheels, exact depth control and superior maneuverability

With outstanding quality of work and sophisticated modern design, the TerraDisc<sup>pro</sup> Hydro is the premium compact disc harrow on the market. The hydraulic folding mechanism of the TerraDisc<sup>pro</sup> Hydro is designed with two large-scale cylinders while the necessary safety is provided by a mechanical locking mechanism with automatic hydraulic unlocking prior to folding. The optional folding chassis transfers additional weight on the discs, the TerraDisc<sup>pro</sup> is therefore particularly stable in the ground.



The TerraDisc<sup>pro</sup> Hydro is available with working widths of 4.00, 5.00 and 6.00 meters in hydraulic folding frame design, optional with **semi-trailed chassis** (Details see page 10).



# Technology for professionals

Fast and snappy – that is how the TerraDisc<sup>pro</sup> compact disc harrow works





- for an outstanding mixing effect, even in the worst soil conditions
- time saved thanks to high ground coverage
- maximum ease of use and long life span





## Advanced technology



### Toothed mulch-discs

The ideal dimensions of 510 mm diameter, as well as the special concave form of the discs, combined with the new intrusion angle ensure excellent penetration. This makes it possible to work in heavy and hard soils. Additionally, the good penetration enables higher working speeds, because the machine stays firm on the ground. The roughly rigged form supports this effect, and grants effective crumbling and optimal sprouting conditions.



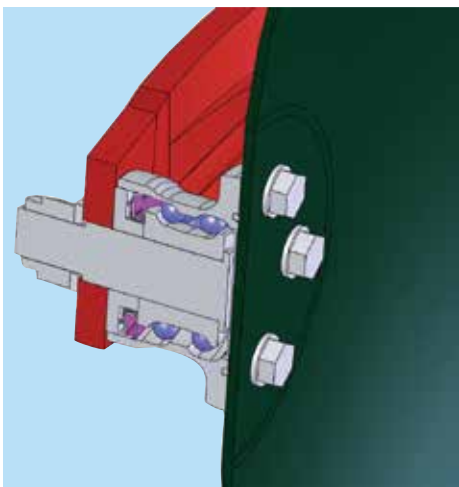
### Flexible disc suspension

The installation of the rubber bushings on the discs ensures maintenance freedom and maximum operational reliability. These spring elements provide excellent soil adaptation with low-depth work and allow work on uneven ground or roadways. In addition, these rubber elements provide effective protection against overload on rocky soils.



### Effective working width – foldable edge discs

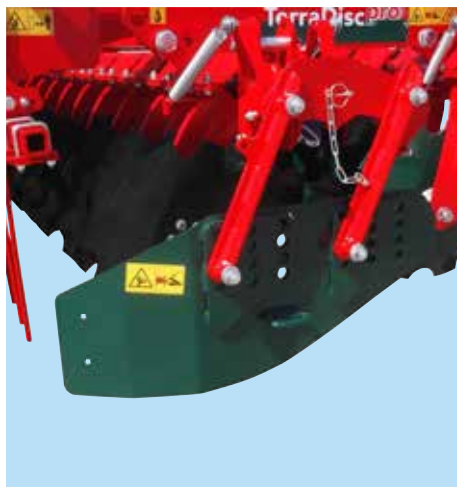
The nominal working width is achieved by the overlap of only one disc; this prevents partially worked strips at the edge of the field. The new spring-loaded edge discs can be folded fast and effortlessly, ensuring a width of less than 3.00 m for the device or 3.50/4.00 m (rigid devices) for secure road transport.



### Disc bearings

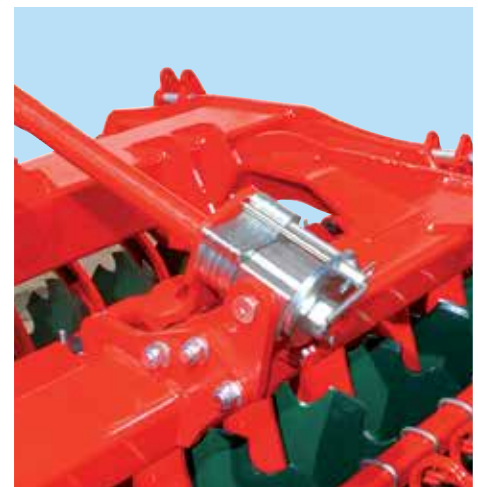
The new TerraDisc<sup>PRO</sup> is equipped with high-quality SKF-bearings only. The two-rowed maintenance-free corner bearings are tripple sealed and continuously greased, so moisture and dirt don't stand a chance.

The screwed attachment of the bearing-shaft to the disc holder greatly improves maintenance convenience immensely and avoids unnecessary repair costs.



### Edge plates (optional)

The edge plates can, in certain situations, prevent ridges by the outer discs, thus ensuring a perfect connection between the different working widths. As with the edge discs, the edge plates are fast and effortlessly foldable and ensure a transport width of less than 3,00 m alternatively 3,50 / 4,00 m (fixed machines).



### Working depth adjustment

The **mechanical adjustment of the working depth** is very comfortable and precise from the rear of the device with a central adjustment element with depth gauges that can be folded in and out. It is also possible to opt for **hydraulic depth adjustment** (for TerraDisc<sup>PRO</sup> TR series with memory cylinder) which allows the operating depth to be adjusted over the whole range during operation, which is very advantageous, e.g. for temporary changes in depth for complete operation of ruts.



## Rollers



### Toothed packer roller Ø 520 mm - Ø 600 mm

- Good all-round features
- Particularly clog-resistant, thanks to scraper
- Tough in stony conditions
- Excellent ground drive with individually welded teeth



### Open roller Ø 520 mm

- Weight advantage: high bearing capacity on light to medium-heavy soils (10 rods)
- Arrangement of supporting V-bars (from 2 m) in order to avoid soil erosion and tension on the sides



### Solpak I ring roller Ø 600 mm

- Ensures perfect leveling, compresses and closes soil
- The runners between the rings are height-adjustable, thus supporting the consolidation intensity. They also offer reliable cleaning of the rollers
- Particularly suitable for subsequent mulch sowing



### Solpak II ring roller Ø 600 mm

- Perfect work results with outstanding reconsolidation, crumbling and levelling
- Better ground drive in light conditions
- Greater stability with continuous central pipe and 5 spokes
- Improved ease of adjusting the scraper bar thanks to adjustment of only 1 spindle



### Packer roller Ø 800 mm

- High load capacity in light soils, the roller does not "sink"
- Very good ground drive thanks to angular shoulder profile, high degree of operational reliability
- Reconsolidation in distinct strips
- Highly suitable for subsequent mulch sowing
- No risk of blockages by stones



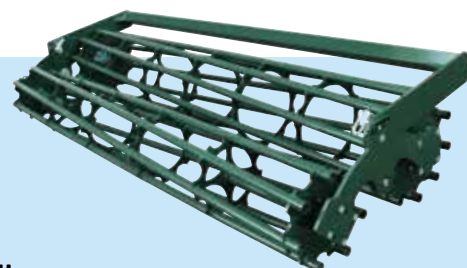
### KTW roller Ø 660 mm

- High loading capacity in light soils
- Good ground drive also in light and sandy grounds
- Tough in stony conditions
- High consolidation
- Grooved consolidation, highly suitable for subsequent mulch sowing



### Tandem ring roller Ø 600/600 mm

- Particularly viable in light, sandy soil
- Flat profiled discs arranged in 2 rows
- Excellent ground drive with individually welded driving plates
- Can be combined with TerraDisc<sup>PRO</sup> with semi-trailed chassis
- Tracking tine (optional) for perfect levelling

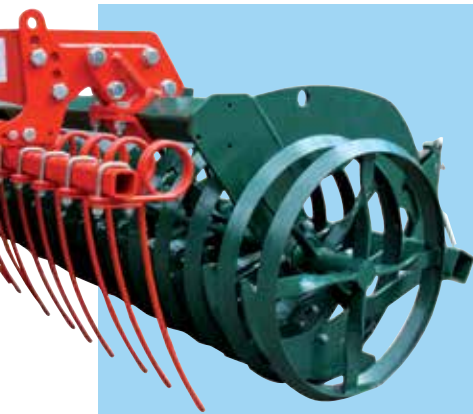


### Double open roller Ø 520/440 mm

- Good leveling and very high load bearing capacity in heavy duty applications in light soil
- Arrangement of supporting V-bars (starting from 2 m) in order to avoid soil erosion and tension to the sides



## Harrow tine

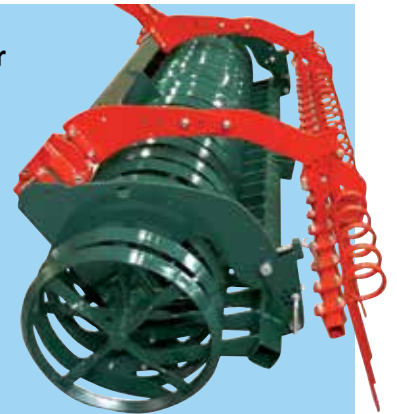


### Harrow tine in front of roller (optional)

The harrow tine which is located between the discs and the roller, guides the soil/straw mass away from the roller and downwards, thus ensuring perfect straw distribution. Recommended for open rollers like the SolPak-rollers.

### Harrow tine behind roller (optional)

All rollers are also available with a harrow tine behind. With 12 mm thick tines, which are adjustable in tilting and height, the harrow ensures optimal alignment of the straw, and prevents quick growth of weeds.



Not available for TerraDisc<sup>PRO</sup> TR models!

## Semi-trailed chassis

The basic concept of the semi-trailed chassis is to transfer the weight to the top of the machine, above the device, during operation. This creates an additional load on the large discs and even better penetration. The device is particularly steady in the ground and is guided into the depths with great precision.

The semi-trailed chassis can easily be retrofitted on a threepoint unit. Thanks to its flexible axle positions and the towbar, which is shortened by default, the device can **easily** be

**manoeuvred** independently of the selected roller / gear unit. Other essential benefits include fuel savings and less slip due to optimal weight transfer on the rear axle of the tractor.

The **drawbar** can be equipped with a **hydraulic cylinder** if desired. Time is saved due to turning on the roller and it is no longer necessary to fold the chassis.

**Road safety** up to the maximum permitted speed and compliance

with legal requirements! This is achieved through the optional equipment kit for classification (air brake system, lighting and protective cover).





# TerraDisc<sup>pro</sup> – technical data

Characteristics	TerraDisc <sup>pro</sup>				TerraDisc <sup>pro</sup> TR			TerraDisc <sup>pro</sup> Hydro			
	250	300	350	400	300	350	400	400	500	600	
Working width	m	2,5	3,0	3,5	4,0	3,0	3,5	4,0	4,0	5,0	6,0
Transport width	m	2,48	2,98	3,48	3,98	2,98	3,48	3,98	2,80		
Number of discs	Pcs.	20	24	28	32	24	28	32	32	40	48
∅ discs	mm	510				510			510		
Tractor power	kW (HP)	51 (70) - 103 (140)	66 (90) - 117 (160)	74 (100) - 132 (180)	88 (120) - 147 (200)	58 (80) - 117 (160)	66 (90) - 132 (180)	74 (100) - 147 (200)	103 (110) - 162 (220)	117 (130) - 191 (260)	132 (150) - 220 (300)
<b>Weight</b>											
Without roller	kg	1180	1370	1560	1750	1640	1830	2020	2350	2600	2850
With open roller ∅ 520 mm	kg	1410	1620	1910	2130	-			2821	3125	3433
With toothed packer roller ∅ 520 mm	kg	1545	1810	2085	2360	-			2930	3330	3730
With toothed packer roller ∅ 600 mm	kg	1620	1900	2190	2480	-			3050	3480	3910
With SolPak I roller ∅ 600 mm	kg	1640	1900	2210	2490	-			3090	3520	3910
With SolPak II roller ∅ 600 mm	kg	1680	1950	2260	2570	-			3170	3650	4010
With double open roller ∅ 520/440 mm	kg	1605	1824	2190	2465	-			3230	3560	3902
with tandem disc roller ∅ 600/600	kg	1180	1370	1560	1750	-			3682	4256	4758
With Packer roller ∅ 800 mm	kg	1820	2100	2450	2750	-			-	-	-
With KTW roller ∅ 660 mm	kg	1725	2000	2350	2650	-			3225	3690	4110
Harrow in front of roller	kg	55	70	85	100	-			100	130	150
Harrow behind roller	kg	80	110	143	175	-			175	200	225
Edge plates	kg	60				-			60		
Folding chassis	kg	-				-			1100		

\* only in connection with semi-trailed chassis, tine in front of roller not possible







Your dealer:



Beyne NV  
Industriestraat 27 • 8480 Ichtegem • Belgium  
Tel 0032(0)51-58.85.34 • Fax 0032(0)51-58.21.73  
[www.beyne.com](http://www.beyne.com) • [info@beyne.be](mailto:info@beyne.be)